

# Intake grilles

## VCSM

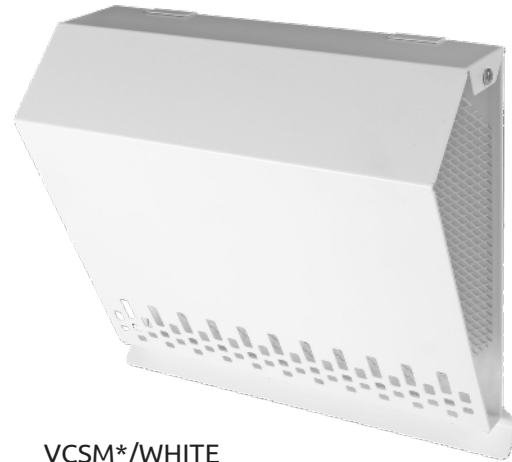
The initial component of ventilation systems with heat recovery unit. Designed for external use in residential and public buildings. Equipped with a drip deflector to protect the wall from water droplets and a protective mesh to cover the inlet opening.

The designed geometry ensures minimal air resistance/pressure drop while providing protection against rainwater.

A rubber gasket facilitates installation and prevents water leakage from the ventilation duct. Mounting holes at the corners allow for attachment to the wall. The side placement of detachable intake front screws makes installation and disassembly for maintenance easier.

### CHARACTERISTICS OF COLOUR VARIATIONS

White, Graphite(GR)	Inox(I)
All materials used are suitable for external applications	
<ul style="list-style-type: none"> <li>Galvanized steel sheet with a thickness of 0.7 mm, powder-coated using passivation technology for additional corrosion protection</li> <li>An attractive color used in contemporary construction</li> </ul>	<ul style="list-style-type: none"> <li>High-quality stainless steel sheet - acid-resistant, chrome-nickel (grade: 316L/1.4404) with a thickness of 0.6 mm</li> <li>Aesthetically polished surface</li> </ul>
Protective mesh for the inlet opening	
Mounting gasket with double-lipped seal	
Fast and easy installation (4 mounting holes in the corners)	



VCSM\*/WHITE



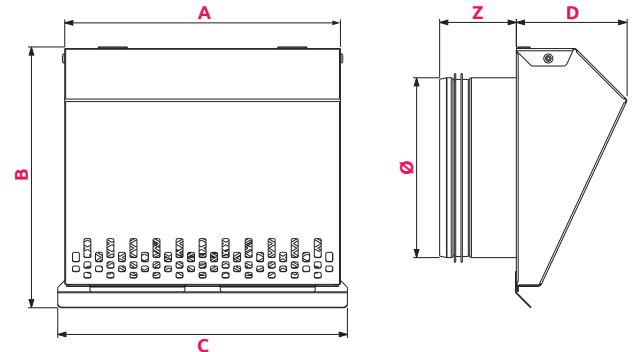
VCSM\*GR/GRAPHITE



VCSM\*/INOX

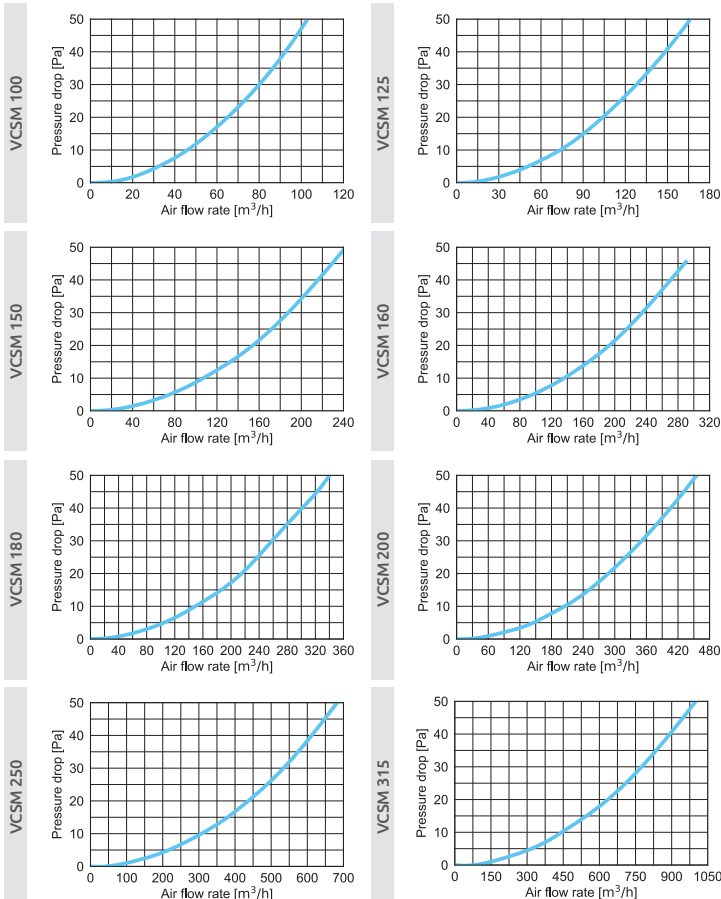
\* Connector diameter

### DIMENSIONS



	Ø	A	B	C	D	Z
VCSM100	100	177	162	180	63	56
VCSM125	125	202	190	210	78	61
VCSM150	150	227	215	239	92	66
VCSM160	160	237	224	249	95	66
VCSM180	180	257	245	269	101	66
VCSM200	200	277	264	289	108	66
VCSM250	250	327	314	339	124	66
VCSM315	315	392	379	404	144	76

### AIR FLOW CHARACTERISTICS



### MOUNTING POSITION

